

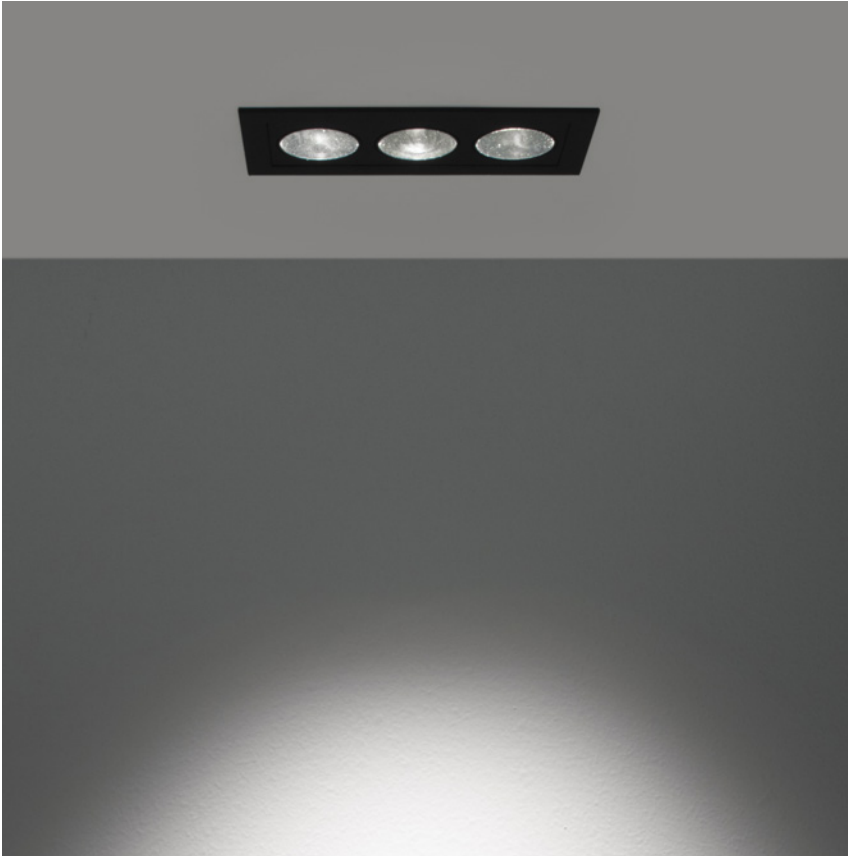
Spotlights

LINI XL Spot 3R

Fixture Guide

KKDÖ

Indoor | Recessed | Output up to 450lm/module

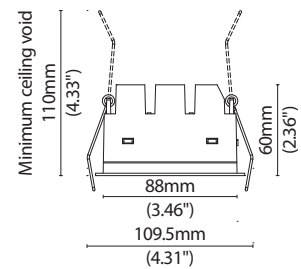


Key applications

- ✓ Ceiling
- ✓ Interior
- ✓ Downlighting
- ✓ Retail display
- ✓ Flood lighting

Key features

- ✓ High lumen efficacy
- ✓ Lensed
- ✓ IP20





LINI XL Spot 3R

Specification sheet



Dimensions	H60/W45/D98mm (H2.36/W1.77/D3.86 in)
PCB Cut-point	-
LED Pitch	27.5mm (1.08in)
Chip	hcc-line: CREE
Cover/Optics	24° or 40° lens with black reflector
CCT	2700K/3000K/4000K
LED binning	3-step MacAdam ellipse
CRI	90
Lifetime	50,000 hours @ 25°C (50,000 hours @ 77°F)
Operating temp	T _a = -20°C to 40°C (T _c max = 80°C) T _a = -4 to 104°F (T _c max = 176°F)
IP Rating	IP20
Finish	Matt white/Black paint
Mounting	Recessed mounting
Power feed	Single IP20 Connector
Control	Constant current

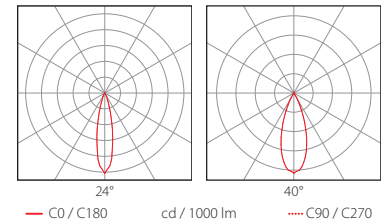
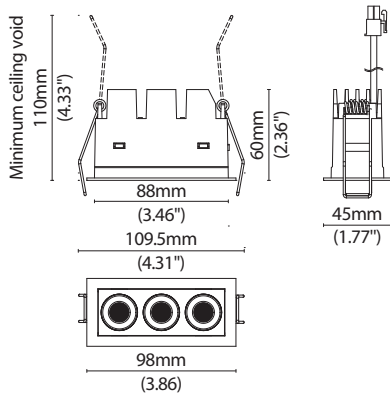


Power consumption	Supply voltage	Supply current
7W	10V	700mA

Performance Data (3000K)

	R1	R2	R3	R4	R5	R6	R7	R8	R9	R10	R11	R12	R13	R14
2700K	90	93	94	93	89	91	94	80	52	82	93	78	91	96
3000K	94	96	97	94	93	95	94	84	63	90	94	79	94	98
4000K	91	94	96	92	90	92	93	81	50	85	92	76	91	98

	24° Lens	40° Lens	CRI	R9	Rf	Rg
hcc-line	450lm/module 64lm/W	450lm/module 64lm/W	93	63	-	-





LINI XL Spot 3R

Code Table



FIXTURE

Model	Finish	Cover	Option	Colour (CCT)	IP	Cable Length	Power Feed	Lens	Control Type	Input	
LINI XL Spot	LP	Matt White paint MW	Reflector V	3 Recessed 3R1	2700K 27	IP20 20	700mm/27.56" 0700	Single no sheath S20X	24° 24	No Controller 5	CC 700mA i
		Matt Black paint MB			3000K 30		IP20 connector	40° 40			
					4000K 40						

Code Example:

LP	-	MW	-	V	-	3R1	-	30	-	20	-	0700	-	S20X	-	24	-	5	-	i
LINI XL Spot		Matt White paint		Reflector		3 Recessed		3000K		IP20		700mm/27.56"		Single no sheath IP20 connector		24°		No Controller		CC 700mA

LED ENGINE VARIANTS (LED STRIP TYPE)

Luminaire	Lumen/module	W	Spec Doc	LED Pitch	Dimension
LINI XL Spot 1 Recessed	140	2	LINI XL Spot 1R	N/A	H60/W45/D45mm (H2.36/W1.77/D1.77in)
LINI XL Spot 2 Recessed	300	4	LINI XL Spot 2R	27.5mm (1.08in)	H60/W45/D70mm (H2.36/W1.77/D2.76in)
LINI XL Spot 3 Recessed	450	7	LINI XL Spot 3R	27.5mm (1.08in)	H60/W45/D98mm (H2.36/W1.77/D3.86in)
LINI XL Spot 5 Recessed	750	11	LINI XL Spot 5R	27.5mm (1.08in)	H60/W45/D152.5mm (H2.36/W1.77/D6.00in)
LINI XL Spot 5 Adjustable	750	11	LINI XL Spot 5R (Adjustable)	27.5mm (1.08in)	H60/W70/D171mm (H2.36/W2.76/D6.73in)
LINI XL Wallwasher 5 Recessed	500	11	LINI XL Wallwasher 5R	12.95mm (0.51in)	H59.7/W44.4/D152.5mm (H2.35/W1.75/D6.00in)

* Performance data: hcc-line, 24° lens, 3000K



LINI XL Spot Driver/PSU Options



AVAILABLE PSU OPTIONS

Control Mode	PSU (Order Code)	Input Voltage AC	Output Voltage DC	Rated Output Current	Rated Power	Dim %	IP Rating
Switched	HLG-60H-C350A	90-305V	100V-200V	0.35A	70W	-	IP65
	HLG-60H-C700A	90-305V	50V-100V	0.7A	70W	-	IP65
	HLG-80H-C350A	90-305V	128V-257V	0.35A	90W	-	IP65
	HLG-80H-C700A	90-305V	64V-129V	0.7A	90W	-	IP65
	HLG-120H-C350A	90-305V	215-430V	0.35A	150W	-	IP65
	HLG-120H-C700A	90-305V	107V-215V	0.7A	150W	-	IP65
	HLG-185H-C700A	90-305V	143V-286V	0.7A	199W	-	IP65
0-10V (1-10V)	HLG-60H-C350B	90-305V	100V-200V	0.35A	70W	-	IP67
	HLG-60H-C700B	90-305V	50V-100V	0.7A	70W	-	IP67
	HLG-80H-C350B	90-305V	128V-257V	0.35A	90W	-	IP67
	HLG-80H-C700B	90-305V	64V-129V	0.7A	90W	-	IP67
	HLG-120H-C350B	90-305V	215-430V	0.35A	150W	-	IP67
	HLG-120H-C700B	90-305V	107V-215V	0.7A	150W	-	IP67
	HLG-185H-C700B	90-305V	143V-286V	0.7A	199W	-	IP67
DMX	POWERdrive 1060/A	120 - 277V	2V-57V	0.35A, 0.7A	100W	-	-
	POWERdrive 106/M	120 - 277V	2V-57V	0.35A, 0.7A	100W	-	-
	POWERdrive 106/S	120 - 277V	2V-57V	0.35A, 0.7A	100W	-	-
	POWERdrive 1061/M	120 - 277V	2V-57V	0.35A, 0.7A	100W	-	-
	POWERdrive 1061/S	120 - 277V	2V-57V	0.35A, 0.7A	100W	-	-
DALI	ELG-100-C350DA	180-295V	143-286V	0.35A	100W	-	IP67
	ELG-100-C700DA	180-295V	71-143V	0.7A	100W	-	IP67
	ELG-150-C700DA	180-295V	150-300V	0.7A	150W	-	IP67